



BUSCAR

PISTONES PARA CALIPERS

G

Código	Ø	Altura	Descripción	Equiv.
ALFA ROMEO				
G0989	34 mm	48 mm	ALFA ROMEO 145 - 146 - 155 TRASERO	---
G01041	57 mm	56 mm	A. ROMEO GIULIETTA	---
G88094	54 mm	53,45 mm	ALFA ROMEO 145 - 146 - 155- 164 (LUCAS)	27027 34166771
AUDI				
G0916	48 mm	53,6 mm	AUDI 80 - 100 COUPE	27062
G0960	38 mm	51 mm	AUDI A3 - A4 - A6 98/.. - 100 - 200 88/91 TRASERO (LUCAS)	27120
G0963	34 mm	48 mm	AUDI A3 - A4 - A6 TRASERO (LUCAS)	27114
G0987	36 mm	48 mm	AUDI A3 - A4 - 80 - 100 TRASERO	---
G0989	34 mm	48 mm	AUDI A2 TT TRASERO	---
G01041	57 mm	56 mm	AUDI A4 - A5 - Q3	---
G88094	54 mm	53,45 mm	AUDI 80 - 90 - 100 - 200 - A4 COUPE CABRIO (LUCAS)	27027 34166771
BMW				
G0180	48 mm	48,20 mm	BMW 316 I - 318 84/.. // BMW 325 E 84/88 // 325 I 87/93 (ATE)	27034
G0213	48 mm	30,8 mm	BMW 320 I 80/.. (ATE)	27054
G01041	57 mm	56 mm	BMW SERIE 3 - XI - Z4	---
CATERPILLAR				
G04852	66,6 mm	56 mm	CATERPILLAR PISTON CHICO	27026
G87891	73 mm	40 mm	CATERPILLAR PISTON GRANDE	27020 100059
CHEVROLET - OPEL				
G0143	48 mm	49,60 mm	CHEVROLET TRUCKER	27032
G0193	56,45 mm	45,2 mm	CHEVROLET LUV	27035
G0213	48 mm	30,80 mm	CHEVROLET OPEL MANTA (ATE)	27054
G0264	60,17 mm	47 mm	CHEVROLET LUV 98/.. (AKEBONO)	27060 88175
G0903	48 mm	30,30 mm	CHEVROLET CHEVETTE (ATE)	27045 - 88152 9307614
G0920	66 mm	50 mm	CHEVROLET BLAZER - S-10 (VARGA)	---
G0926	48 mm	50 mm	CHEVROLET ASTRA - COMBO - CORSA - TIGRA - VECTRA (ATE)	---
G0927	48 mm	50 mm	CHEVROLET CORSA (VARGA)	---
G0929	57,2 mm	55 mm	CHEVROLET OMEGA SENATOR (LUCAS)	---
G0944	35 mm	28,50 mm	CHEVROLET ASTRA - VECTRA TRASERO (ATE)	---
G0946	57 mm	39 mm	CHEVROLET D40 (ATE)	---
G0950	85,65 mm	57 mm	CHEVROLET MICRO 87/00 - C30 - C3500 96/00 (BENDIX)	---
G0953	86 mm	55,40 mm	CHEVROLET CHEYENNE 3500 87/97 - C3500 94/99	---
G0959	46 mm	52 mm	CHEVROLET BLAZER 4x4 97/05 - S10 98/04 TRASERO	---
G0965	80 mm	52 mm	CHEVROLET BLAZER C10 SUBURBAN - C30	---
G0972	63,5 mm	43,5 mm	CHEVROLET BLAZER 4x4 97/99 - LUMINA 90/.. S-10 98/03 (DELCO)	---
G0988	34 mm	47 mm	CHEVROLET ASTRA - VECTRA - ZAFIRA TRASERO	---
G0989	34 mm	48 mm	CHEVR. ASTRA - CORSA - COMBO - TIGRA - ZAFIRA TRASERO	---
G1005	44,5 mm	45 mm	CHEVROLET BLAZER 4x4 12/..	---
G1006	48 mm	49,5 mm	CHEVROLET CORSA CASSIC 1.4 10/..	---





PISTONES PARA CALIPERS

G

Código	Ø	Altura	Descripción	Equiv.
CHEVR. - OPEL - cont.				
G1009	54 mm	49 mm	CHEVROLET MERIVA	---
G01022	54 mm	58 mm	CHEVROLET CRUZE (TODOS)	---
G01023	60 mm	52 mm	CHEVROLET CRUZE 1.8 LTZ	---
G01033	54 mm	48,70 mm	CHEVROLET AVEO	---
G45401	74,50 mm	49,65 mm	CHEVROLET SILVERADO - C10 - C20 - C30 70/90 (BENDIX)	27023 - 88123 2404491
G87836	40,4 mm	28,93 mm	CHEVROLET CHEVY 69/70 - 400 (CHICO) (BENDIX)	27001 2400769
G87837	57 mm	28,93 mm	CHEVROLET CHEVY 69/.. - 400 69/.. (GRANDE) (BENDIX)	27008 2400771
G87838	48 mm	28,90 mm	GM. OPEL K 180 (BENDIX)	27006 2403235
G88093	54 mm	46,70 mm	GM. MONZA (VARGA)	27010 2403996
G88161	54 mm	51 mm	GM. C20 - D20 (BENDIX)	27058 - 68061 2261784
CHRYSLER - DODGE				
G0901	54 mm	51,50 mm	CHRYSLER SPIRIT - NEON DELANTERO (ATE)	27029
G0945	34 mm	48 mm	CHRYSLER NEON TRASERO (ATE)	---
G0930	70 mm	56,20 mm	DODGE DAKOTA 98/.. (ATE)	---
G0951	47,50 mm	59,50 mm	DODGE DAKOTA TRASERO	---
G0953	86 mm	55,40 mm	DODGE RAM 2500 - 3500 94/01	---
G0965	80 mm	52 mm	DODGE RAM 3500 94/98	---
G01018	56,05 mm	55,7 mm	DODGE RAM 2500	---
G01024	54 mm	53 mm	DODGE RAM 1500 2015 - TRASERO	---
G87836	40,4 mm	28,93 mm	DODGE POLARA CORONADO GTX 68/72 (CHICO) (BENDIX)	27001 87836
G87837	57 mm	28,93 mm	DODGE POLARA CORONADO (GRANDE) (BENDIX)	27008 2400771
G87889	48 mm	37,60 mm	DODGE 1500 72/76 (TENSA)	27011 2404122
G87890	50,80 mm	37,60 mm	DODGE 1500 (TENSA)	27012 2403684
CITROEN				
G0909	40,40 mm	53 mm	CITROEN JUMPER (CHICO) (LUCAS)	---
G0910	48 mm	53,50 mm	CITROEN JUMPER (GRANDE) (LUCAS)	---
G0912	48 mm	50,3 mm	CITROEN XSARA - BERLINGO (BOSCH)	---
G0928	38 mm	53,50 mm	CITROEN JUMPER (SUPER CHICO) (LUCAS)	---
G0929	57 mm	55 mm	CITROEN XSARA ZX (LUCAS)	---
G01041	57 mm	56 mm	CITROEN C4	---
G16017	48 mm	41,6 mm	CITROEN IES AMERICA - 87 GRINGA (TENSA)	27021 88103
G16018	42 mm	27,30 mm	CITROEN DAYANE MEHARY	27028
DAEWOO				
G0911	51 mm	43 mm	DAEWOO DAMAS - TICO	---
G0935	51 mm	45 mm	DAEWOO CIELO	---
G0956	51 mm	45 mm	DAEWOO LANOS	---
DAIHATSU				
G0979	48 mm	30 mm	DAIHATSU CHARADE	---



PISTONES PARA CALIPERS

G

Código	Ø	Altura	Descripción	Equiv.
DAIHATSU - cont.				
G01015	50,8 mm	45 mm	DAIHATSU APPLAUSE 89/00	---
DATSUN				
G0143	48 mm	49,60 mm	DATSUN SENTRA - PULSAR	27032
DEUTZ				
G08083	76,25 mm	57,2 mm	DEUTZ AGRALE (VARGA)	---
FIAT				
G0909	40,40 mm	53 mm	FIAT DUCATO MAXI (CHICO) (LUCAS)	---
G0910	48 mm	53,50 mm	FIAT DUCATO MAXI (GRANDE) (LUCAS)	---
G0928	38 mm	53,50 mm	FIAT DUCATO MAXI (SUPER CHICO) (LUCAS)	---
G0983	44 mm	58 mm	FIAT DUCATO 2007/..	---
G0984	48 mm	58 mm	FIAT DUCATO 2007/..	---
G0989	34 mm	48 mm	FIAT BRAVO - BARCHETTA - MAREA - PUNTO TRASERO	---
G01039	54 mm	51 mm	FIAT GRAND SIENA	
G01041	57 mm	56 mm	FIAT DOBLO - 500	---
G87834	33,90 mm	28,93 mm	FIAT 1500 - 1600 - 125 - MULTICARGA (CHICO) (BENDIX)	27002 2400717
G87835	48 mm	28,93 mm	FIAT 1500 - 1600 - 125 - MULTICARGA (GRANDE) (BENDIX)	27007 2400719
G87839	48 mm	52,50 mm	FIAT 128 (BENDIX)	27003 2401971
G88094	54 mm	53,45 mm	FIAT TIPO 1.6 / 2.0 - TEMPRA - BARCHETTA (LUCAS)	27027 34166771
G88098	48 mm	51,20 mm	FIAT REGATA 1.6 / 2.0 - VIVACE - DUNA 1.8 - UNO - 147 - FIORINO - SPAZIO (BENDIX)	27044 88127
G88101	48 mm	53,7 mm	FIAT DUNA - UNO (VARGA)	27030 4166802
G88102	48 mm	44 mm	FIAT 128 - 128 EUROPA - 128 SUPER EUROPA - 147 TR - DUNA - REGATA '85 - SPAZIO (BENDIX)	27013 2403910
G100057	45 mm	52,65 mm	FIAT 133 (BENDIX)	27004 2403524
G110178	54 mm	51,20 mm	FIAT TEMPRA - PALIO - SIENA (ARMETAL)	27024 88115
FORD				
G0122	46 mm	50,80 mm	FORD RANGER 95/06 // EXPLORER DELANTERO 95/06 y TRASERO 02/.. (BENDIX)	27053 88162
G0902	48 mm	54,70 mm	FORD FIESTA (ATE)	27056 88163
G0913	42 mm	34 mm	FORD TRANSIT 130 - 150 - 190 (LOCKHEED)	---
G0922	54 mm	58,15 mm	FORD DUTY XLT 99/02 - F150 - F250 - F350 // SUPER DUTY 98/00 RUEDAS DELANTERAS Y TRASERAS (BENDIX)	---
G0924	60,35 mm	45,20 mm	FORD FAIRLANE (KELSEY HAYES)	88139
G0925	42 mm	51,20 mm	FORD TRANSIT (BENDIX)	---
G0941	33 mm	28,50 mm	ESCORT XR3 TRASERO (ATE)	---
G0948	44,40 mm	54,5 mm	FORD SUPER DUTY F250 - F350 99/.. TRASERO (BENDIX)	---
G0960	38 mm	51 mm	FORD MONDEO TRASERO	27120
G0989	34 mm	48 mm	FORD FOCUS TRASERO	---
G0992	56,1 mm	62 mm	FORD ECONOLINE F150	---
G0994	38 mm	50 mm	FORD FOCUS 2010/.. TRASERO	---





BUSCAR



PISTONES PARA CALIPERS

G

Código	Ø	Altura	Descripción	Equiv.
FORD - cont.				
G1007	41,8 mm	51,9 mm	FORD RANGER 12/..	
G01039	54 mm	51 mm	FORD ECOSPORT	
G01041	57 mm	56 mm	FORD C-MAX - FOCUS - KUGA - MONDEO - TRANSIT	---
G05622	60 mm	52,30 mm	FORD ESCORT XR3 - MONDEO - ORION (ATE)	27049
G08083	76,25 mm	57,20 mm	FORD F4000 (VARGA)	27064
G13046	55,50 mm	47,60 mm	FORD ECONOLINE - F150 (CHICO)	27052
G13047	69,80 mm	44,85 mm	FORD ECONOLINE - F150 (GRANDE)	27022 88125
G87836	40,40 mm	28,93 mm	FORD FALCON - FAIRLANE 70/81 (CHICO) (BENDIX)	27001 2400769
G87837	57 mm	28,93 mm	FORD FALCON - FAIRLANE 70/81 (GRANDE) (BENDIX)	27008 24000771
G87841	54 mm	28,90 mm	FORD TAUNUS (BENDIX)	27005 2403077
G87891	73 mm	40 mm	FORD MUSTANG	27020 100059
G88000	66 mm	47,45 mm	FORD RANGER - BRONCO 87/.. (CHICO) (BENDIX)	27017
G88065	73 mm	48,3 mm	FORD RANGER - BRONCO 87/.. (GRANDE) (BENDIX)	27016 2404492
G88091	78,70 mm	46,30 mm	FORD F100 F150 86/89 (BENDIX)	27018 2404738
G88097	48 mm	53,2 mm	FORD GALAXY (ATE)	27039 88126
G88161	54 mm	51 mm	FORD F1000 (BENDIX)	27058 - 68061 2261784
G110178	54 mm	51,2 mm	FORD SIERRA - ESCORT - ORION - FIESTA 98/04 - COURIER 01/03 - KA (ATE)	88115 27024
HONDA				
G0193	56,45 mm	45,20 mm	HONDA ACCORD LX EX ER 90/..	27035
G0261	57 mm	50 mm	HONDA ACCORD COUPE - ACCORD L INYECC. - ACCORD I INYECC.	27036
G0262	57 mm	51,30 mm	HONDA ACCORD L - ACCORD I - ACCORD 2P 88/.. - CIVIC - PRELUDE SI / SE	27037
G0264	60,17 mm	47 mm	HONDA PASSPORT	27060 88175
G0935	51 mm	45 mm	HONDA COCHES MODELOS 80	---
G0954	50,7 mm	43 mm	HONDA ACCORD	---
G0955	54 mm	47 mm	HONDA CIVIC	---
G0956	51 mm	45 mm	HONDA CIVIC CRX	---
G01021	45,35 mm	53 mm	HONDA CRV 10/..	---
G01034	52 mm	44,7 mm	HONDA FIT 04/10	---
G01041	57 mm	56 mm	HONDA ACCORD - CIVIC	---
G01044	30 mm	44 mm	HONDA CIVIC - FIT .. /10 - TRASERO	---
G01045	54 mm	48 mm	HONDA CITY - FIT 10/.. - TRASERO	---
HYUNDAI				
G0261	57 mm	50 mm	HYUNDAI SONATA 84/92	27036
G0917	42,81 mm	47,60 mm	HYUNDAI SANTA FE	---
G0935	51 mm	45 mm	HYUNDAI EXCEL 87/..	---
G0957	60 mm	51 mm	HYUNDAI H-100 03/..	---
G01042	34 mm	46 mm	HYUNDAI TUCSON - TRASERO	---





BUSCAR

PISTONES PARA CALIPERS

G

Código	Ø	Altura	Descripción	Equiv.
ISUZU				
G0156	57 mm	45,60 mm	ISUZU TRUCK TROOPER I - II - PICK-UP 84/87	27033
G0264	60,17 mm	47 mm	ISUZU TROOPER PICK-UP 90/96 (AKEBONO) - AMIGO 89/94 - RODEO 91/..	27060 88175
G0923	41,20 mm	45,30 mm	ISUZU TROOPER TRASERO	---
G0970	54 mm	61 mm	ISUZU NPR	---
G45410	57 mm	47,60 mm	ISUZU TRUCK TROOPER	---
IVECO				
G0907	44 mm	61,35 mm	IVECO TURBO DAILY 35.10 - 49.10 (PERROT)	27040 88165
G0908	44 mm	34 mm	IVECO TURBO DAILY 35.10 - 49.10 (PERROT)	---
G0913	42 mm	34 mm	IVECO TURBO DAILY (LOCKHEED)	---
G0949	50 mm	37 mm	IVECO TURBO DAILY 59.12 (PERROT)	---
G0985	46 mm	60 mm	IVECO 2006/..	---
G0991	48 mm	60 mm	IVECO 2006/..	---
G0998	48 mm	64 mm	IVECO 55S16 - 70S16 -TRASERO	---
G01011	60 mm	65 mm	IVECO 70C16 70HDC16 (BREMBO)	---
G01041	57 mm	56 mm	IVECO DAILY	---
JEEP				
G0942	66 mm	52 mm	JEEP GRAND CHEROKEE 92/98 // CHEROKEE - WAGONEER - COMANCHE 90/.. (BENDIX)	---
G0943	48 mm	47,50 mm	JEEP GRAND CHEROKEE 94/.. TRASERO	---
G0952	48 mm	52 mm	JEEP GRAND CHEROKEE 05/.. TRASERO Y DELANTERO // COMMANDER 06/..	---
G45401	74,5 mm	49,65 mm	JEEP GRAND WAGONEER 74/91 // CHEROKEE - WAGONEER 77/83 (BENDIX)	27023 - 88123 2404491
KIA				
G0193	56,45 mm	45,2 mm	KIA SPORTAGE 98/02	27035
G0967	60,30 mm	46 mm	KIA BESTA 87/..	---
G01016	60,6 mm	47 mm	KIA 2500 - 700	---
G01042	34 mm	46 mm	KIA SPORTAGE - TRASERO	---
LADA				
G01017	30 mm	51 mm	LADA NIVA 4x4	---
LANCIA				
G0929	57,2 mm	55 mm	LANCIA ZETA (LUCAS)	---
MAZDA				
G0122	46 mm	50,8 mm	MAZDA PICK-UP 95/02 - B-2300 - B-3000 - B-4000 95/.. (BENDIX)	27053 88162
G0261	57 mm	50 mm	MAZDA 626 MX6	27036
G0264	60,17 mm	47 mm	MAZDA 929 92/95	27060 88175
G0990	54 mm	49 mm	MAZDA 323 Mx5	---
G0917	42,81 mm	47,6 mm	MAZDA MPV 95/02	---





PISTONES PARA CALIPERS

G

Código	Ø	Altura	Descripción	Equiv.
--------	---	--------	-------------	--------

MAZDA - cont.

G0934	43 mm	47,80 mm	MAZDA MEXICANA PICK-UP - B-2600	---
--------------	-------	----------	---------------------------------	-----

M. BENZ

G0171	57 mm	30,20 mm	M. BENZ 190 - 200 - 220D - 230 - 250 - 280 - 300 (ATE)	27055
G0905	44 mm	35 mm	M. BENZ JEEP (PERROT)	---
G0906	60 mm	30,70 mm	M. BENZ 280SL 560SL 230.6 280CE 240D 3.0 (ATE)	---
G0915	60 mm	63,30 mm	M. BENZ 709 - 710 - 814 - 912 - 1114 NUEVO (VARGA)	27066
G0918	38 mm	29 mm	M. BENZ 280SL 560SL 230.6 280CE 240D 3.0 280S 450SEL 6.9 300TD 260SE 560SEC TRASERO (ATE)	---
G0921	44 mm	60 mm	M. BENZ SPRINTER 310 (PERROT)	---
G0933	60 mm	58 mm	M. BENZ SPRINTER 312 (ATE)	---
G0947	44 mm	37 mm	M. BENZ JEEP TRASERO (PERROT)	---
G0973	54 mm	49,9 mm	M. BENZ CLASE A 140 - A 160	---
G0978	45 mm	56,5 mm	M. BENZ 313 - 314 - SPRINTER TRASERO	---
G0986	52 mm	53 mm	M. BENZ 313 - 413 - SPRINTER	---
G0991	48 mm	60 mm	M. BENZ 313 - 413 2007/..	---
G01020	52 mm	59 mm	M. BENZ SPRINTER 515 (BREMBO)	---
G06184	52 mm	48,40 mm	M. BENZ 180 D (BOSCH)	27065 88166
G87891	73 mm	40 mm	M. BENZ 709 - 809 (VARGA)	27020 100059
G88094	54 mm	53,45 mm	M. BENZ SERIES C (W202 - T202) (BOSCH)	27027 34166771

MITSUBISHI

G0934	43 mm	47,8 mm	MITSUBISHI V6 - 3000 - MONTERO 92/..	---
G0935	51 mm	45 mm	MITSUBISHI GTO '80	---
G0955	54 mm	47 mm	MITSUBISHI MONTERO 82/87 - ECLIPSE 90/..	---
G0973	54 mm	49,9 mm	MITSUBISHI CARISMA	---
G0993	51 mm	45 mm	MITSUBISHI GALANT - LANCER	---
G02211	57 mm	47,6 mm	MITSUBISHI L 200 - L 300 - MONTERO PAJERO	27025

NISSAN

G0105	54 mm	28,5 mm	NISSAN 240ZX 260ZX 280ZX 300ZX 79/81	27031
G0143	48 mm	49,60 mm	NISSAN PULSAR 82/90 - NX SENTRA 82/94	27032
G0261	57 mm	50 mm	NISSAN 240SX - ALTIMA - MAXIMA - STANZA	27036
G0917	42,81 mm	47,60 mm	NISSAN PATHFINDER 93/05 - URVAN 99/01 - FRONTIER 90/02	---
G0938	60,5 mm	48 mm	NISSAN 720	---
G0961	46 mm	49 mm	NISSAN FRONTIER	---
G0980	68 mm	49 mm	NISSAN PATROL	---
G01010	44,3 mm	52 mm	NISSAN TERRANO	---

PEUGEOT

G0909	40,40 mm	53 mm	PEUGEOT BOXER (CHICO) (LUCAS)	---
G0910	48 mm	53,50 mm	PEUGEOT BOXER (GRANDE) (LUCAS)	---
G0912	48 mm	50,30 mm	PEUGEOT 206 (BOSCH)	---
G0916	48 mm	53,60 mm	PEUGEOT 405 (VARGA)	27062





BUSCAR

PISTONES PARA CALIPERS

G

Código	Ø	Altura	Descripción	Equiv.
PEUGEOT - cont.				
G0928	38 mm	53,50 mm	PEUGEOT BOXER (SUPER CHICO) (LUCAS)	---
G0929	57,20 mm	55 mm	PEUGEOT 306 - 405 - 406 - 806 - EXPERT (LUCAS)	---
G0960	38 mm	51 mm	PEUGEOT 405 TRASERO	27120
G0966	30 mm	38 mm	PEUGEOT 206 - 306 - 307 TRASERO	---
G0971	33 mm	49 mm	PEUGEOT 406 - 605 TRASERO (ATE)	---
G0996	60 mm	56 mm	PEUGEOT 307 (BOSCH)	---
G0997	43 mm	29 mm	PEUGEOT 505 TRASERO	---
G01019	52 mm	56,2 mm	PEUGEOT BOXER	---
G87834	33,90 mm	28,93 mm	PEUGEOT 404 - 504 (CHICO) (BENDIX)	27002 2400717
G87835	48 mm	28,93 mm	PEUGEOT 404 - 504 (GRANDE) (BENDIX)	27007 2400719
G87840	48 mm	50,20 mm	PEUGEOT PICK-UP 504 (BENDIX)	27009 2403097
G88093	54 mm	46,70 mm	PEUGEOT 504 81/93 - 505 (BENDIX)	27010 2403996
G88094	54 mm	53,45 mm	PEUGEOT 306 - 405 - PARTNER (LUCAS)	27027 34166771
G88095	54 mm	28,70 mm	PEUGEOT 504 GR 77/82 - 505 TS (BAJO) (TENZA)	27014 2406689
RENAULT - IKA				
G0549	48 mm	49 mm	RENAULT 18 / FUEGO GTA (LUCAS)	27038
G0916	48 mm	53,6 mm	RENAULT CLIO - MEGANE - SCENIC (VARGA)	27062
G0969	36 mm	45 mm	RENAULT FUEGO TRASERO	27121
G0982	36 mm	51 mm	RENAULT 21 - LAGUNA	---
G0989	34 mm	48 mm	RENAULT CLIO II - MEGANE II TRASERO	---
G1001	42 mm	51 mm	RENAULT MASTER - TRASERO (BOSCH)	---
G1002	42 mm	51 mm	KIT MORDAZA MASTER (TRAS/DER) (BOSCH)	---
G1003	42 mm	51 mm	KIT MORDAZA MASTER (TRAS/IZQ) (BOSCH)	---
G1004	45 mm	51 mm	RENAULT MASTER (BOSCH)	---
G01025	48 mm	55,6 mm	RENAULT MASTER II 12/.. (BOSCH)	---
G01043	48 mm	54 mm	RENAULT MASTER II 12/.. - TRASERO	---
G83532	54 mm	48,85 mm	RENAULT 21 - NEVADA - KANGOO (BENDIX)	27042 4183532
G87836	40,4 mm	28,93 mm	TORINO (CHICO) (BENDIX)	27001 2400769
G87837	57 mm	28,93 mm	TORINO (GRANDE) (BENDIX)	27008 2400771
G87840	48 mm	50,20 mm	RENAULT 12 - R12 BREAK 73/80 - R4 - R4 BREAK 80/84 (BENDIX)	27009 2403097
G87890	50,80 mm	37,60 mm	RENAULT 12 TS/TL BREAK 72/80 CUÑA (TENZA)	27012 2403684
G88093	54 mm	46,70 mm	RENAULT 18 ALTO (BENDIX)	27010 2403996
G88094	54 mm	53,45 mm	RENAULT FUEGO TS 81/.. - R18 TS GTL GTG II LX - R18 BREAK - LAGUNA - MEGANE SAFRANE (TENZA)	27027 34166771
G88096	48 mm	49 mm	RENAULT 9 - R11 - EXPRESS (VARGA)	27015 2404916
G88098	48 mm	51,2 mm	RENAULT 19 - CLIO (BENDIX)	27044 88127
G88100	45 mm	51 mm	RENAULT TRAFIC - RODEO (BENDIX)	27019
G88101	48 mm	53,70 mm	RENAULT 9 - 11 (TENZA COLETTE)	27030 4166802
G88102	48 mm	44 mm	RENAULT 4 TS - R12 (BAJO) (BENDIX)	27013 2403910





BUSCAR

PISTONES PARA CALIPERS

G

Código	Ø	Altura	Descripción	Equiv.
ROVER - LAND ROVER				
G0913	41,2 mm	34 mm	LAND ROVER DISCOVERY 94/.. (LOCKHEED)	---
G0919	46 mm	30 mm	LAND ROVER DEFENDER (LOCKHEED)	---
SAAB				
G0213	48 mm	30,80 mm	SAAB 99 E (ATE)	27054
SEAT				
G0960	38 mm	51 mm	SEAT TOLEDO 01/02 - CORDOBA 02/.. TRASERO	27120
G0989	34 mm	48 mm	SEAT CORDOBA TRASERO	---
G88094	54 mm	53,45 mm	SEAT CORDOBA - IBIZA -INCA - TOLEDO 01/.. - CABRIOLET 96/..	27027 34166771
SSANGYONG				
G0937	60,4 mm	49 mm	MUSSO (SYMC)	---
SUBARU				
G0143	48 mm	49,6 mm	SUBARU JUSTY	27032
G0261	57 mm	50 mm	SUBARU LEGACY 90/96 OUTBACK 96/..	27036
G0917	42,81 mm	47,6 mm	SUBARU IMPREZA OUTBACK 02/..	---
SUZUKI				
G0143	48 mm	49,60 mm	SUZUKI SWIFT SIDEKICK X-90 90/..	27032
G01031	60,50 mm	50 mm	SUZUKI VITARA	---
TOYOTA				
G0105	54 mm	28,50 mm	TOYOTA CORONA - CRESSIDA 78/80 - CROWN 68/72 - HILUX	27031
G0143	48 mm	49,6 mm	TOYOTA LAND CRUISER - LAND CRUISER 93/98 TRASERO	27032
G0156	57 mm	45,60 mm	TOYOTA SUPRA - VAN WAGON 84/.. - PICK-UP 4x2 84/95	27033
G0193	56,45 mm	45,2 mm	TOYOTA CELICA 83/85	27035
G0904	42,81 mm	28,80 mm	TOYOTA HILUX 4x4 94/..	27063 88164
G0914	60,3 mm	48,20 mm	TOYOTA HILUX 89/.. - HIACE 89/92 - SIENNA 98/03 (AISIN)	27057
G0931	33,90 mm	28,40 mm	TOYOTA HILUX PICK-UP 4WD 79/85 (SUMITOMO)	---
G0932	48 mm	48,40 mm	TOYOTA COROLLA	---
G0935	51 mm	45 mm	TOYOTA COROLLA LINEA NUEVA	---
G0936	51 mm	53,70 mm	TOYOTA COASTER - DYNA	---
G0938	60,50 mm	48 mm	TOYOTA HIACE	---
G0939	42,81 mm	28,30 mm	TOYOTA HILUX 80 (SUMITOMO)	---
G0958	45 mm	30 mm	TOYOTA LAND CRUISER 90/.. - BURBUJA - PRADO TRASERO	---
G0968	66 mm	48 mm	TOYOTA HIACE 93/..	---
G0973	54 mm	49,9 mm	TOYOTA COROLLA	---
G0990	54 mm	49 mm	TOYOTA COROLLA	---
G1008	42,82 mm	31 mm	TOYOTA HILUX 4x4 05/..	---
G01014	63,45 mm	49 mm	TOYOTA RAV4 08/..	---
G01032	51 mm	31 mm	TOYOTA SW4	---
G01036	36 mm	49 mm	TOYOTA COROLLA 06/.. - TRASERO	---





PISTONES PARA CALIPERS

G

Código	Ø	Altura	Descripción	Equiv.
--------	---	--------	-------------	--------

VOLKSWAGEN

G0902	48 mm	54,7 mm	VW POLO (ATE)	27056 88163
G0960	38 mm	51 mm	VW BORA - BEETLE 01/02 - PASSAT 01/.. - GOLF 98/.. - GOLF GTI 01/.. - JETTA VARIANT 00/02 - POLO 03/.. TRASERO (LUCAS)	27120
G0962	54 mm	58,5 mm	VW GOLF G4 99/..	---
G0963	34 mm	48 mm	VW BORA - BEETLE - PASSAT - GOLF TRASERO (LUCAS)	27114
G0976	30 mm	47 mm	VW. GOLF G4 TRASERO	---
G0977	57 mm	55 mm	VW. PASSAT MOD. 98/.. DELANTERO	---
G0981	40,5 mm	29 mm	VW. ESCARABAJO	---
G0995	54 mm	46 mm	VW GOL TREND - SAVEIRO - VOYAGE	---
G0999	40 mm	29 mm	VW. ESCARABAJO (BOSCH)	---
G1000	48 mm	52,50 mm	VW. AMAROK	---
G01012	41 mm	51 mm	VW. BORA (LUCAS)	---
G87839	48 mm	52,50 mm	VW GACEL (ATE)	27003 2401971
G87841	54 mm	28,9 mm	VW KOMBI (BENDIX)	27005 2403077
G87890	50,8 mm	37,6 mm	VW 1800 RURAL (TENSA)	27012 2403684
G88094	54 mm	53,45 mm	VW GOLF G2 G3 92/00 - JETTA 92/00 - PASSAT 90/94 - POLO 03/.. - V	27027 34166771
G88097	48 mm	53,20 mm	VW SENDA - QUANTUM - QUANTUM 1.8 - GOL - GOL 1.8 2.0 - CARAT - GACEL - SAVEIRO (VARGA)	27039 88126
G88099	44 mm	53,70 mm	VW GOL 1.6 - SAVEIRO 1.6 - SENDA - PASSAT (ATE)	27043
G110178	54 mm	51,2 mm	VW POINTER (ARMETAL)	27024 88115

VOLVO

G0261	57 mm	50 mm	SERIE 740 91/92 - 940 94/96 - 960 94/97 - S90 98/.. - V90 98/..	27036
G0964	38 mm	29 mm	SERIE 140 -160 -240 - 740 - 780 - 850 - 960 TRASERO	27056
G88094	54 mm	53,45 mm	SERIE 440 - 460 - 480 (LUCAS)	27027 34166771

OTROS

G0940	73 mm	70,70 mm	CAMION INTERNACIONAL (BENDIX)	---
G0974	73 mm	43,5 mm	PALA DE CARGA MICHIGAN	---
G0975	48 mm	34 mm	PALA DE CARGA MICHIGAN 45	---
G08083	76,25 mm	57,2 mm	TRACTOR AGRALE (VARGA)	---
G87836	40,4 mm	28,93 mm	FUMIGADORA PLA - TRACTOR ZANELLO (BENDIX)	27001 2400769
G87837	57 mm	28,93 mm	TRACTOR ZANELLO (BENDIX)	27008 2400771





LISTA CORRELATIVA

G

G0105

(ø 54 mm - Alt. 28,5 mm)



NISSAN 240 ZX // TOYOTA CORONA - CRESSIDA - CROWN - HILUX

G0122

(ø 46 mm - Alt. 50,80 mm)



FORD RANGER - EXPLORER DELANTERO y TRASERO // MAZDA PICK-UP - B2300 - B3000 - B4000 95/.. (BENDIX)

G0143

(ø 48 mm - Alt. 49,60 mm)



CHEVROLET TRUCKER // NISSAN PULSAR - NX SENTRA // SUBARU JUSTY // SUZUKI SWIFT SIDEKICK X-90 // TOYOTA LAND CRUISER TRASERO

G0156

(ø 57 mm - Alt. 45,60 mm)



ISUZU TRUCK TROOPER I-II - PICK-UP 84/87 // TOYOTA SUPRA - VAN WAGON 84/.. - PICK-UP 4x2 84/95

G0171

(ø 57 mm - Alt. 30,20 mm)



MERCEDES BENZ 190 - 200 - 220D - 230 - 250 - 280 - 300 (ATE)

G0180

(ø 48 mm - Alt. 48,20 mm)



BMW 316 I - 318 84/.. // BMW 325 E 84/88 // 325 I 87/93 (ATE)

G0193

(ø 56,45 mm - Alt. 45,2 mm)



CHEVROLET LUV // HONDA ACCORD LX EX ER 90/.. // KIA SPORTAGE 98/02 // TOYOTA CELICA 83/85

G0213

(ø 48 mm - Alt. 30,8 mm)



BMW 320 I 80/.. // CHEVROLET OPEL MANTA // SAAB 99 E (ATE)

G0261

(ø 57 mm - Alt. 50 mm)



HONDA ACCORD // HYUNDAI SONATA // MAZDA 626 // NISSAN 240SX - ALTIMA // SUBARU LEGACY // VOLVO SERIE 740 - 940

G0262

(ø 57 mm - Alt. 51,30 mm)



HONDA ACCORD L - ACCORD I - ACCORD 2P 88/.. - CIVIC - PRELUDE SI / SE

G0264

(ø 60,17 mm - Alt. 47 mm)



CHEVROLET LUV (AKEBONO) // HONDA PASSPORT // ISUZU TROOPER PICK-UP (AKEBONO) - AMIGO - RODEO // MAZDA 929

G0549

(ø 48 mm - Alt. 49 mm)



RENAULT 18 / FUEGO GTA (LUCAS)

G0901

(ø 54 mm - Alt. 51,50 mm)



CHRYSLER SPIRIT - NEON DELANTERO (ATE)

G0902

(ø 48 mm - Alt. 54,70 mm)



FORD FIESTA (ATE) // VW POLO (ATE)

G0903

(ø 48 mm - Alt. 30,30 mm)



CHEVROLET CHEVETTE (ATE)

G0904

(ø 42,81 mm - Alt. 28,8 mm)



TOYOTA HILUX 4x4 92/..



G0905
(ø 44 mm - Alt. 35 mm)

MERCEDES BENZ JEEP (PERROT)

G0906
(ø 60 mm - Alt. 30,70 mm)

MERCEDES BENZ 280SL 560SL 230.6
280CE 240D 3.0 (ATE)

G0907
(ø 44 mm - Alt. 61,35 mm)

IVECO TURBO DAILY 35.10 - 49.10
(PERROT)

G0908
(ø 44 mm - Alt. 34 mm)

IVECO TURBO DAILY 35.10 - 49.10
(PERROT)

G0909
(ø 40,40 mm - Alt. 53 mm)

CITROEN JUMPER - FIAT DUCATO
MAXI - PEUGEOT BOXER (CHICO)
(LUCAS)

G0910
(ø 48 mm - Alt. 53,50 mm)

CITROEN JUMPER - FIAT DUCATO
MAXI - PEUGEOT BOXER (GRANDE)
(LUCAS)

G0911
(ø 51 mm - Alt. 43 mm)

DAEWOO DAMAS - TICO

G0912
(ø 48 mm - Alt. 50,3 mm)

CITROEN XSARA - BERLINGO
(BOSCH) // PEUGEOT 206 (BOSCH)

G0913
(ø 42 mm - Alt. 34 mm)

FORD TRANSIT 130 - 150 - 190 //
IVECO TURBO DAILY // LAND ROVER
DISCOVERY 94/.. (TODOS
LOCKHEED)

G0914
(ø 60,3 mm - Alt. 48,20 mm)

TOYOTA HILUX 89/.. - HIACE 89/92 -
SIENNA 98/03 (AISIN)

G0915
(ø 60 mm - Alt. 63,30 mm)

MERCEDES BENZ 709 - 710 - 814 -
912 - 1114 NUEVO (VARGA)

G0916
(ø 48 mm - Alt. 53,6 mm)

AUDI 80 - 100 COUPE // PEUGEOT
405 (VARGA) // RENAULT CLIO -
MEGANE - SCENIC (VARGA)

G0917
(ø 42,81 mm - Alt. 47,6 mm)

HYUNDAI SANTA FE // MAZDA MPV //
NISSAN PATHFINDER - URVAN -
FRONTIER // SUBARU IMPREZA
OUTBACK

G0918
(ø 38 mm - Alt. 29 mm)

MERCEDES BENZ 280SL 560SL 230.6
280CE 240D 3.0 280S 450SEL 6.9
300TD 260SE 560SEC TRASERO
(ATE)

G0919
(ø 46 mm - Alt. 30 mm)

LAND ROVER DEFENDER
(LOCKHEED)

G0920
(ø 66 mm - Alt. 50 mm)

CHEVROLET BLAZER - S-10 (VARGA)

G0921

(ø 44 mm - Alt. 60 mm)



MERCEDES BENZ SPRINTER 310
(PERROT)

G0922

(ø 54 mm - Alt. 58,15 mm)



FORD DUTY XLT 99/02 - F150 - F250 -
F350 // SUPER DUTY 98/00 RUEDAS
DELANTERAS Y TRASERAS (BENDIX)

G0923

(ø 41,2 mm - Alt. 45,3 mm)



ISUZU TROOPER TRASERO

G0924

(ø 60,35 mm - Alt. 45,2 mm)



FORD FAIRLANE (KELSEY HAYES)

G0925

(ø 42 mm - Alt. 51,20 mm)



FORD TRANSIT (BENDIX)

G0926

(ø 48 mm - Alt. 50 mm)



CHEVROLET ASTRA - COMBO -
CORSA - TIGRA - VECTRA (ATE)

G0927

(ø 48 mm - Alt. 50 mm)



CHEVROLET CORSA (VARGA)

G0928

(ø 38 mm - Alt. 53,50 mm)



CITROEN JUMPER - FIAT DUCATO
MAXI - PEUGEOT BOXER (SUPER
CHICO) (LUCAS)

G0929

(ø 57,2 mm - Alt. 55 mm)



CHEVROLET OMEGA SENATOR -
CITROEN XSARA ZX - LANCIA ZETA -
PEUGEOT 306 - 405 - 406 - 806 -
EXPERT (TODOS LUCAS)

G0930

(ø 70 mm - Alt. 56,20 mm)



DODGE DAKOTA 98/.. (ATE)

G0931

(ø 33,9 mm - Alt. 28,4 mm)



TOYOTA HILUX PICK-UP 4WD 79/85
(SUMITOMO)

G0932

(ø 48 mm - Alt. 48,40 mm)



TOYOTA COROLLA

G0933

(ø 60 mm - Alt. 58 mm)



MERCEDES BENZ SPRINTER 312
(ATE)

G0934

(ø 43 mm - Alt. 47,80 mm)



MAZDA MEXICANA PICK-UP - B-2600
// MITSUBISHI V6 - 3000 - MONTERO
92/..

G0935

(ø 51 mm - Alt. 45 mm)



DAEWOO CIELO // HONDA COCHES
MOD. 80 // HYUNDAI EXCEL //
MITSUBISHI GTO '80 // TOYOTA
COROLLA LINEA NUEVA

G0936

(ø 51 mm - Alt. 53,70 mm)



TOYOTA COASTER - DYNA

G0937
(\varnothing 60,4 mm - Alt. 49 mm)



MUSSO (SYMC)

G0938
(\varnothing 60,5 mm - Alt. 48 mm)



NISSAN 720 // TOYOTA HIACE

G0939
(\varnothing 42,81 mm - Alt. 28,3 mm)



TOYOTA HILUX 80 (SUMITOMO)

G0940
(\varnothing 73 mm - Alt. 70,70 mm)



CAMION INTERNACIONAL (BENDIX)

G0941
(\varnothing 33 mm - Alt. 28,50 mm)



ESCORT XR3 TRASERO (ATE)

G0942
(\varnothing 66 mm - Alt. 52 mm)



JEEP GRAND CHEROKEE 92/98 //
CHEROKEE - WAGONEER -
COMANCHE 90/.. (BENDIX)

G0943
(\varnothing 48 mm - Alt. 47,50 mm)




JEEP GRAND CHEROKEE 94/..
TRASERO

G0944
(\varnothing 35 mm - Alt. 28,50 mm)



CHEVROLET ASTRA - VECTRA
(TRASERO) (ATE)

G0945
(\varnothing 34 mm - Alt. 48 mm)




CHRYSLER NEON TRASERO (ATE)

G0946
(\varnothing 57 mm - Alt. 39 mm)



CHEVROLET D40 (ATE)

G0947
(\varnothing 44 mm - Alt. 37 mm)



MERCEDES BENZ JEEP TRASERO
(PERROT)

G0948
(\varnothing 44,40 mm - Alt. 54,5 mm)



FORD SUPER DUTY F250 - F350 99/..
TRASERO (BENDIX)

G0949
(\varnothing 50 mm - Alt. 37 mm)



IVECO TURBO DAILY 59.12 (PERROT)

G0950
(\varnothing 85,65 mm - Alt. 57 mm)



CHEVROLET MICRO 87/00 - C30 -
C3500 96/00 (BENDIX)

G0951
(\varnothing 47,50 mm - Alt. 59,50 mm)

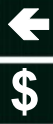


DODGE DAKOTA (TRASERO)

G0952
(\varnothing 48 mm - Alt. 52 mm)



JEEP GRAND CHEROKEE 05/..
TRASERO Y DELANTERO //
COMMANDER 06/..



BUSCAR

LISTA CORRELATIVA

G

G0953

(ø 86 mm - Alt. 55,40 mm)



CHEVROLET CHEYENNE 3500 87/97 -
C3500 94/99 // DODGE RAM 2500 -
3500 94/01

G0954

(ø 50,7 mm - Alt. 43 mm)



HONDA ACCORD

G0955

(ø 54 mm - Alt. 47 mm)



HONDA CIVIC // MITSUBISHI
MONTERO 82/87 - ECLIPSE 90/..

G0956

(ø 51 mm - Alt. 45 mm)



DAEWOO LANOS - HONDA CIVIC
CRX

G0957

(ø 60 mm - Alt. 51 mm)



HYUNDAI H-100 03/..

G0958

(ø 45 mm - Alt. 30 mm)



TOYOTA LAND CRUISER 90/.. -
BURBUJA - PRADO - TRASERO

G0959

(ø 46 mm - Alt. 52 mm)



CHEVROLET BLAZER 4x4 97/05 - S10
98/04 (TRASERO)

G0960

(ø 38 mm - Alt. 51 mm)



AUDI (LUCAS) // FORD // PEUGEOT //
SEAT // VW (LUCAS) - (TODOS
TRASEROS)

G0961

(ø 46 mm - Alt. 49 mm)



NISSAN FRONTIER

G0962

(ø 54 mm - Alt. 58,5 mm)



VW GOLF G4 99/..

G0963

(ø 34 mm - Alt. 48 mm)



AUDI A3 - A4 - A6 TRASERO (LUCAS)
// VW BORA - BEETLE - PASSAT -
GOLF TRASERO (LUCAS)

G0964

(ø 38 mm - Alt. 29 mm)



VOLVO SERIE 140 -160 -240 - 740 -
780 - 850 - 960 TRASERO

G0965

(ø 80 mm - Alt. 52 mm)



CHEVROLET BLAZER C10
SUBURBAN - C30 // DODGE RAM
3500 94/98

G0966

(ø 30 mm - Alt. 38 mm)



PEUGEOT 206 - 306 - 307 TRASERO

G0967

(ø 60,30 mm - Alt. 46 mm)



KIA BESTA 87/..

G0968

(ø 66 mm - Alt. 48 mm)



TOYOTA HIACE 93/..



G0969

(ø 36 mm - Alt. 45 mm)



RENAULT FUEGO TRASERO

G0970

(ø 54 mm - Alt. 61 mm)



ISUZU NPR

G0971

(ø 33 mm - Alt. 49 mm)



PEUGEOT 406 - 605 TRASERO (ATE)

G0972

(ø 63,5 mm - Alt. 43,5 mm)



CHEVROLET BLAZER 4x4 97/99 - LUMINA 90/.. S-10 98/03 (DELCO)

G0973

(ø 54 mm - Alt. 49,9 mm)



MERCEDES BENZ CLASE A 140 - A 160 // MITSUBISHI CARISMA // TOYOTA COROLLA

G0974

(ø 73 mm - Alt. 43,5 mm)



PALA DE CARGA MICHIGAN

G0975

(ø 48 mm - Alt. 34 mm)



PALA DE CARGA MICHIGAN 45

G0976

(ø 30,15 mm - Alt. - mm)



VW. GOLF G4 (TRASERO)

G0977

(ø 57 mm - Alt. 55 mm)



VW. PASSAT MOD. 98/.. (DELANTERO)

G0978

(ø 45 mm - Alt. 56,5 mm)



MERCEDES BENZ 313 - 314 - SPRINTER (TRASERO)

G0979

(ø 48 mm - Alt. 30 mm)



DAIHATSU CHARADE

G0980

(ø 68 mm - Alt. 49 mm)



NISSAN PATROL

G0981

(ø 40,5 mm - Alt. 29 mm)



VW. ESCARABAJO

G0982

(ø 36 mm - Alt. 51 mm)



R21 - LAGUNA (TRASERO)

G0983

(ø 44 mm - Alt. 58 mm)



FIAT DUCATO 2007/..

G0984

(ø 48 mm - Alt. 58 mm)



FIAT DUCATO 2007/..

G0985

(ø 46 mm - Alt. 60 mm)



IVECO 2006/..

G0986

(ø 52 mm - Alt. 53 mm)



MERCEDES BENZ
SPRINTER 313 - 413

G0987

(ø 36 mm - Alt. 48 mm)



AUDI A3 - A4 - 80 - 100 (TRASERO)

G0988

(ø 34 mm - Alt. 47 mm)



CHEVROLET ASTRA - VECTRA -
ZAFIRA (TRASERO)

G0989

(ø 34 mm - Alt. 48 mm)



ALFA ROMEO // AUDI // CHEVROLET
// FIAT // FORD // RENAULT // SEAT
(TRASERO)

G0990

(ø 54 mm - Alt. 49 mm)



MAZDA 323 Mx5
TOYOTA COROLLA

G0991

(ø 48 mm - Alt. 60 mm)



IVECO 2006/..
MERCEDES BENZ 313 - 413 2007/..

G0992

(ø 56,1 mm - Alt. 62 mm)



FORD ECONOLINE F150

G0993

(ø 51 mm - Alt. 45 mm)



MITSUBISHI GALANT - LANCER

G0994

(ø 38 mm - Alt. 50 mm)



FORD FOCUS 2010/.. (TRASERO)

G0995

(ø 54 mm - Alt. 46 mm)



VW GOL TREND - SAVEIRO -
VOYAGE

G0996

(ø 60 mm - Alt. 56 mm)



PEUGEOT 307

G0997

(ø 43 mm - Alt. 29 mm)



PEUGEOT 505 (TRASERO)

G0998

(ø 48 mm - Alt. 64 mm)



IVECO 55S16 - 70S16 (TRASERO)

G0999

(ø 40 mm - Alt. 29 mm)



VW ESCARABAJO

G1000

(ø 48 mm - Alt. 52,50 mm)



VW AMAROK

G1001

(ø 42 mm - Alt. 51 mm)



RENAULT MASTER (TRASERO)

G1002

(ø 42 mm - Alt. 51 mm)



KIT MORDAZA MASTER (TRAS/DER)

G1003

(ø 42 mm - Alt. 51 mm)



KIT MORDAZA MASTER (TRAS/IZQ)

G1004

(ø 45 mm - Alt. 51 mm)



RENAULT MASTER

G1005

(ø 44,5 mm - Alt. 45 mm)



CHEVR. BLAZER 4x4 12/..

G1006

(ø 48 mm - Alt. 49,5 mm)



CORSA CASSIC 1.4 10/..

G1007

(ø 41,8 mm - Alt. 51,9 mm)



RANGER 12/..

G1008

(ø 42,82 mm - Alt. 31 mm)



TOYOTA HILUX 4x4 05/..

G1009

(ø 54 mm - Alt. 49 mm)



CHEVROLET MERIVA

G01010

(ø 44,3 mm - Alt. 52 mm)



NISSAN TERRANO

G01011

(ø 60 mm - Alt. 65 mm)



IVECO 70C16 70HDC16

G01012

(ø 41 mm - Alt. 51 mm)



VW. BORA

G01014

(ø 63,45 mm - Alt. 49 mm)



TOYOTA RAV4 08/..

G01015

(ø 50,8 mm - Alt. 45 mm)



DAIHATSU APPLAUSE 89/00

G01016

(ø 60,6 mm - Alt. 47 mm)



KIA 2500 - 700

G01017

(ø 30 mm - Alt. 51 mm)



LADA NIVA 4x4



LISTA CORRELATIVA

G

G01018

(ø 56,05 mm - Alt. 55,7 mm)



DODGE RAM 2500

G01019

(ø 52 mm - Alt. 56,2 mm)



PEUGEOT BOXER

G01020

(ø 52 mm - Alt. 59 mm)



M. BENZ SPRINTER 515

G01021

(ø 45,35 mm - Alt. 53 mm)



HONDA CRV 10/..

G01022

(ø 54 mm - Alt. 58 mm)



CHEVROLET CRUZE (TODOS)

G01023

(ø 60 mm - Alt. 52 mm)



CHEVROLET CRUZE 1.8 LTZ

G01024

(ø 54 mm - Alt. 53 mm)



DODGE RAM 1500 2015 - TRASERO

G01025

(ø 48 mm - Alt. 55,6 mm)



RENAULT MASTER II 12/..

G01031

(ø 60,5 mm - Alt. 50 mm)



SUZUKI VITARA

G01032

(ø 51 mm - Alt. 31 mm)



TOYOTA SW4

G01033

(ø 54 mm - Alt. 48,7 mm)



CHEVROLET AVEO

G01034

(ø 52 mm - Alt. 44,7 mm)



HONDA FIT 04/10

G01036

(ø 36 mm - Alt. 49 mm)



TOYOTA COROLLA 06/.. (TRASERO)

G01039

(ø 54 mm - Alt. 51 mm)

FIAT GRAND SIENA
FORD ECOSPORT**G01041**

(ø 57 mm - Alt. 56 mm)

A. ROMEO GIULIETTA // AUDI A4 - A5
Q3 // BMW SERIE 3 - XI - Z4 //
CITROEN C4 // FIAT DOBLO - 500 //
FORD C-MAX - FOCUS - KUGA -
MONDEO - TRANSIT // HONDA
ACCORD - CIVIC // IVECO DAILY**G01042**

(ø 34 mm - Alt. 46 mm)

HYUNDAI TUCSON (TRASERO)
KIA SPORTAGE (TRASERO)

G01043

(ø 48 mm - Alt. 54 mm)



RENAULT MASTER II 12/.. (TRASERO)

G01044

(ø 30 mm - Alt. 44 mm)



HONDA CIVIV - FIT ../10 (TRASERO)

G01045

(ø 54 mm - Alt. 48 mm)



HONDA CITY - FIT 10/.. (TRASERO)

G02211

(ø 57 mm - Alt. 47,6 mm)



MITSUBISHI L 200 - L 300 - MONTERO PAJERO

G04852

(ø 66,6 mm - Alt. 56 mm)



CATERPILLAR PISTON CHICO

G05622

(ø 60 mm - Alt. 52,30 mm)



FORD ESCORT XR3 - MONDEO - ORION (ATE)

G06184

(ø 52 mm - Alt. 48,40 mm)



MERCEDES BENZ 180 D (BOSCH)

G08083

(ø 76,25 mm - Alt. 57,2 mm)



DEUTZ AGRALE // TRACTOR AGRALE (VARGA)

G13046

(ø 55,5 mm - Alt. 47,60 mm)



FORD ECONOLINE - F150 (CHICO)

G13047

(ø 69,8 mm - Alt. 44,85 mm)



FORD ECONOLINE - F150 (GRANDE)

G16017

(ø 48 mm - Alt. 41,6 mm)



CITROEN IES AMERICA - 87 GRINGA (TENSA)

G16018

(ø 42 mm - Alt. 27,30 mm)



CITROEN DAYANE MEHARY

G45401

(ø 74,5 mm - Alt. 49,65 mm)



CHEVROLET SILVERADO - C10 - C20 C30 (BX) // JEEP GRAND WAGONEER // CHEROKEE - WAGONEER (BX)

G45410

(ø 57 mm - Alt. 47,60 mm)



ISUZU TRUCK TROOPER

G83532

(ø 54 mm - Alt. 48,85 mm)



RENAULT 21 - NEVADA - KANGOO (BENDIX)

G87834

(ø 33,9 mm - Alt. 28,93 mm)



FIAT 1500 - 1600 - 125 - MULTICARGA (CHICO) (BENDIX) // PEUGEOT 404 - 504 (CHICO) (BENDIX)

G87835

(ø 48 mm - Alt. 28,93 mm)



FIAT 1500 - 1600 - 125 - MULTICARGA (GRANDE) (BENDIX) // PEUGEOT 404 - 504 (GRANDE) (BENDIX)

G87836

(ø 40,4 mm - Alt. 28,93 mm)



CHEVROLET - DODGE - FORD - TORINO - FUMIGADORA PLA - TRACTOR ZANELLO (BENDIX)

G87837

(ø 57 mm - Alt. 28,93 mm)



CHEVROLET - DODGE - FORD - TORINO - TRACTOR ZANELLO (BENDIX)

G87838

(ø 48 mm - Alt. 28,90 mm)



GM. OPEL K 180 (BENDIX)

G87839

(ø 48 mm - Alt. 52,50 mm)



FIAT 128 (BENDIX) // VW GACEL (ATE)

G87840

(ø 48 mm - Alt. 50,20 mm)



PEUGEOT PICK-UP 504 (BENDIX) // RENAULT 12 - R12 BREAK 73/80 - R4 - R4 BREAK 80/84 (BENDIX)

G87841

(ø 54 mm - Alt. 28,90 mm)



FORD TAUNUS (BENDIX) // VW KOMBI (BENDIX)

G87889

(ø 48 mm - Alt. 37,60 mm)



DODGE 1500 72/76 (TENZA)

G87890

(ø 50,8 mm - Alt. 37,6 mm)



DODGE 1500 (TENZA) // RENAULT 12 TS/TL BREAK 72/80 CUÑA (TENZA) // VW 1800 RURAL (TENZA)

G87891

(ø 73 mm - Alt. 40 mm)



CATERPILLAR PISTON GRANDE // FORD MUSTANG // MERCEDES BENZ 709 - 809 (VARGA)

G88000

(ø 66 mm - Alt. 47,45 mm)



FORD RANGER - BRONCO 87../ (CHICO) (BENDIX)

G88065

(ø 73 mm - Alt. 48,3 mm)



FORD RANGER - BRONCO 87../ (GRANDE) (BENDIX)

G88091

(ø 78,7 mm - Alt. 46,3 mm)



FORD F100 F150 86/89 (BENDIX)

G88093

(ø 54 mm - Alt. 46,70 mm)



GM. MONZA (VARGA) // PEUGEOT 504 81/93 - 505 (BENDIX) // RENAULT 18 ALTO (BENDIX)

G88094

(ø 54 mm - Alt. 53,45 mm)



A. ROMEO (LUCAS) - AUDI (LUCAS) - FIAT (LUCAS) - M.B. (BOSCH) - PEUGEOT (LUCAS) - RENAULT (TENZA) - SEAT - VW (LUCAS) - VOLVO (LUCAS)

G88095

(ø 54 mm - Alt. 28,70 mm)



PEUGEOT 504 GR 77/82 - 505 TS (BAJO) (TENZA)

G88096

(ø 48 mm - Alt. 49 mm)



RENAULT 9 - R11 - EXPRESS
(VARGA)

G88097

(ø 48 mm - Alt. 53,2 mm)



FORD GALAXY (ATE) // VW SENDA -
QUANTUM - QUANTUM 1.8 - GOL -
GOL 1.8 2.0 - CARAT - GACEL -
SAVEIRO (VARGA)

G88098

(ø 48 mm - Alt. 51,20 mm)



FIAT REGATA 1.6 / 2.0 - VIVACE -
DUNA 1.8 - UNO - 147 - FIORINO -
SPAZIO (BENDIX) // RENAULT 19 -
CLIO (BENDIX)

G88099

(ø 44 mm - Alt. 53,70 mm)



VW GOL 1.6 - SAVEIRO 1.6 - SENDA -
PASSAT (ATE)

G88100

(ø 45 mm - Alt. 51 mm)



RENAULT TRAFIC - RODEO (BENDIX)

G88101

(ø 48 mm - Alt. 53,7 mm)



FIAT DUNA - UNO (VARGA) //
RENAULT 9 - 11 (TENZA COLETTE)

G88102

(ø 48 mm - Alt. 44 mm)



FIAT 128 - 128 EUROPA - 128 SUPER
EUROPA - 147 TR - DUNA - REGATA
'85 - SPAZIO (BX) // RENAULT 4 TS -
R12 (BAJO) (BX)

G88161

(ø 54 mm - Alt. 51 mm)



GM. C20 - D20 (BENDIX) // FORD
F1000 (BENDIX)

G100057

(ø 45 mm - Alt. 52,65 mm)



FIAT 133 (BENDIX)

G110178

(ø 54 mm - Alt. 51,20 mm)



FIAT (ARMETAL) - FORD (ATE) - VW
(ARMETAL)